

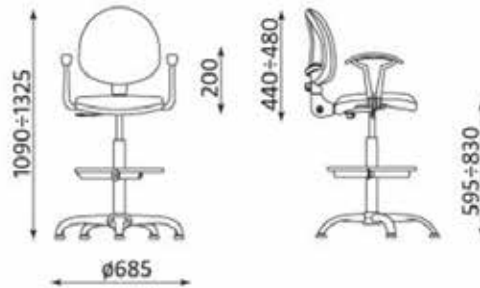


Work chairs and stools

Chair Type Smart GPT27

Item no. 9280-001

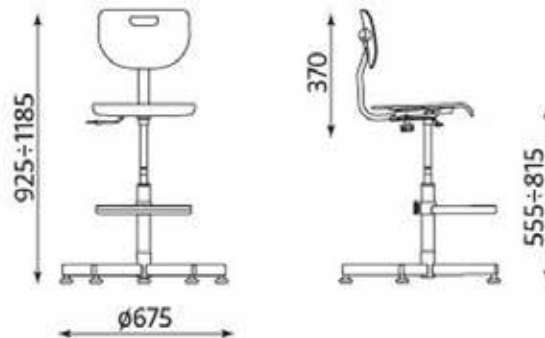
- steel base
- continuously adjustable seat height
- upholstered seat and back made of faux leather colour: dark green (Skai V13)
- ergonomically shaped back rest
- back rest adjustable in tilt angle and height
- fixed arm rests
- metal foot ring adjustable in height



Chair Type Werek

Item no. 9282-001

- continuously adjustable seat height
- seat and back made of beech plywood
- back rest with grip hole for carrying
- anti-slip foot rest, adjustable in height
- metal parts: black



The World of Bookbinding.



Work chairs and stools

Chair Type Worker TS02 with ring base

Item no. 9283-001

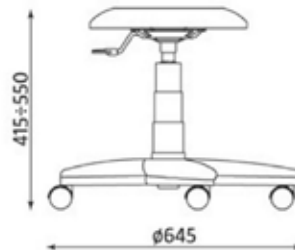
- continuously adjustable seat height
- anti-slip seat and back made of soft plastic
- base: black, nylon, with feet (not available on castors)
- metal parts: black



Stool Type Goliat TS12

Item no. 9281-001

- steel base, black, with plastic caps
- continuously adjustable seat height with a lift
- upholstered seat made of faux leather colour: dark green (Skai V13)
- self-braking castors for carpets or hard surfaces



Stool Type Goliat TS12 with ring base

Item no. 9281-002

- steel base, black, with plastic caps
- continuously adjustable seat height with a lift
- upholstered seat made of faux leather colour: dark green (Skai V13)
- on feet (not available on castors)
- metal foot ring adjustable in height

